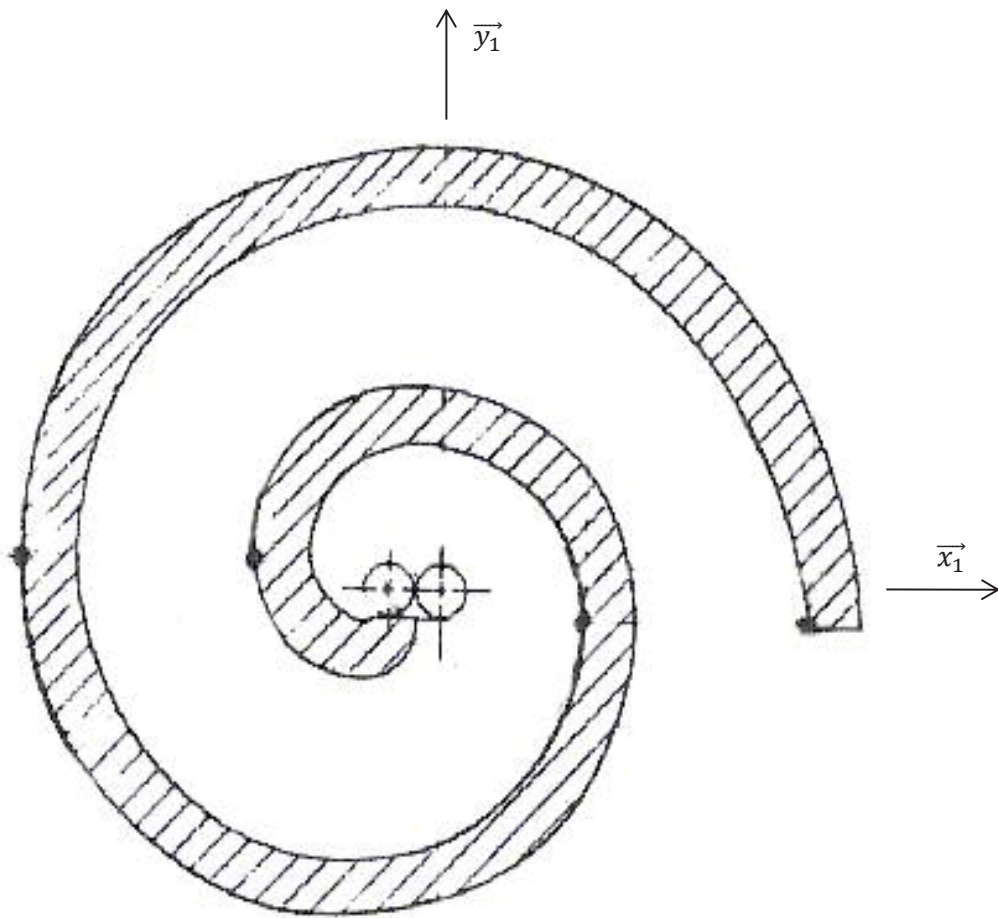
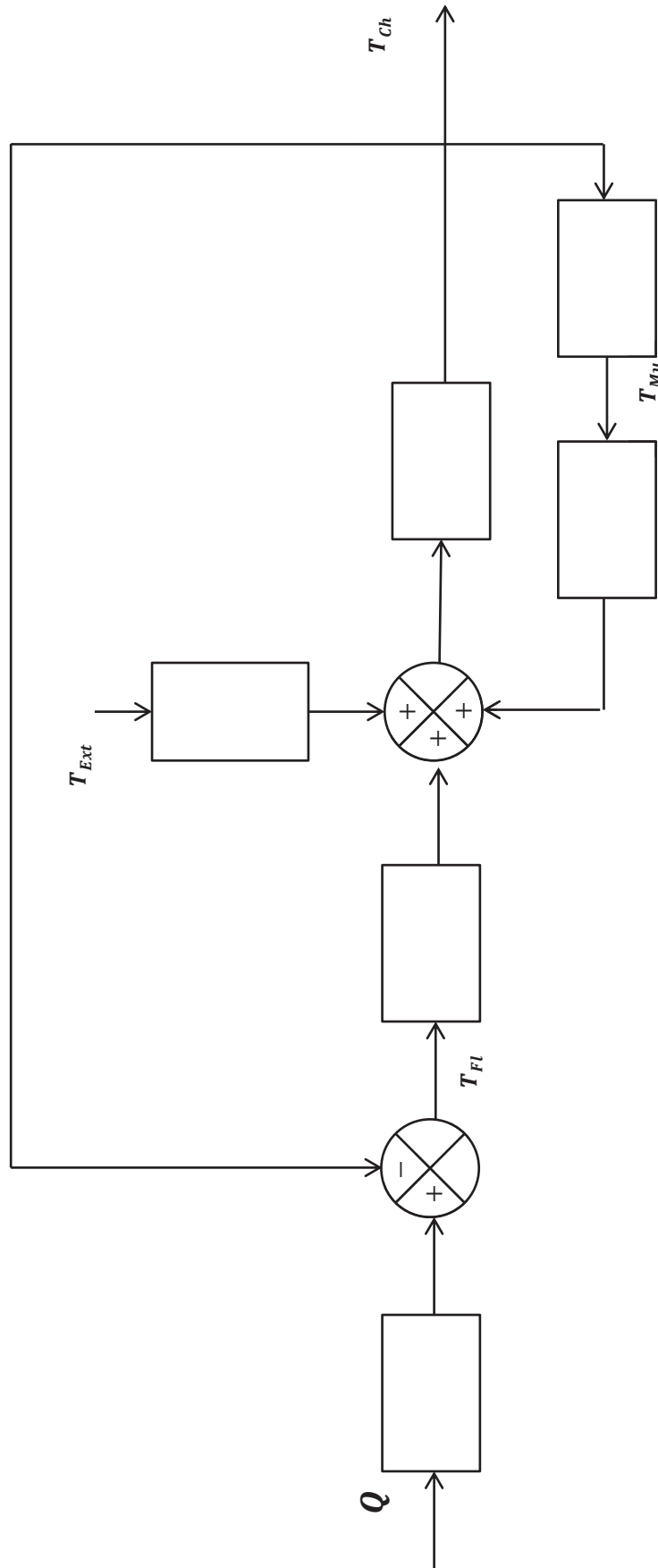


Documents réponse

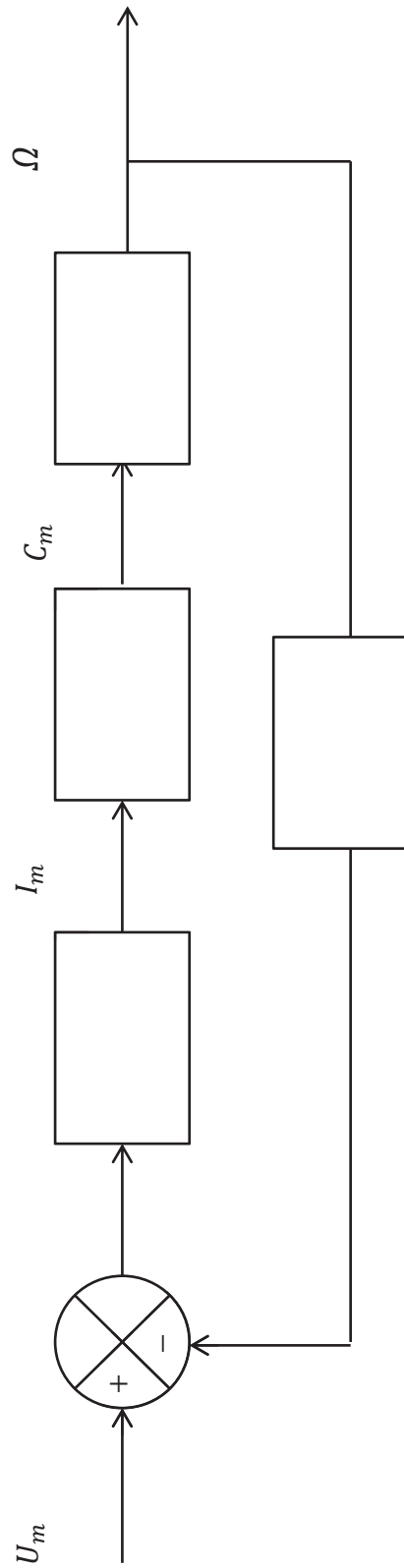
- DR 1 – Question 14



- DR 2 – Question 38

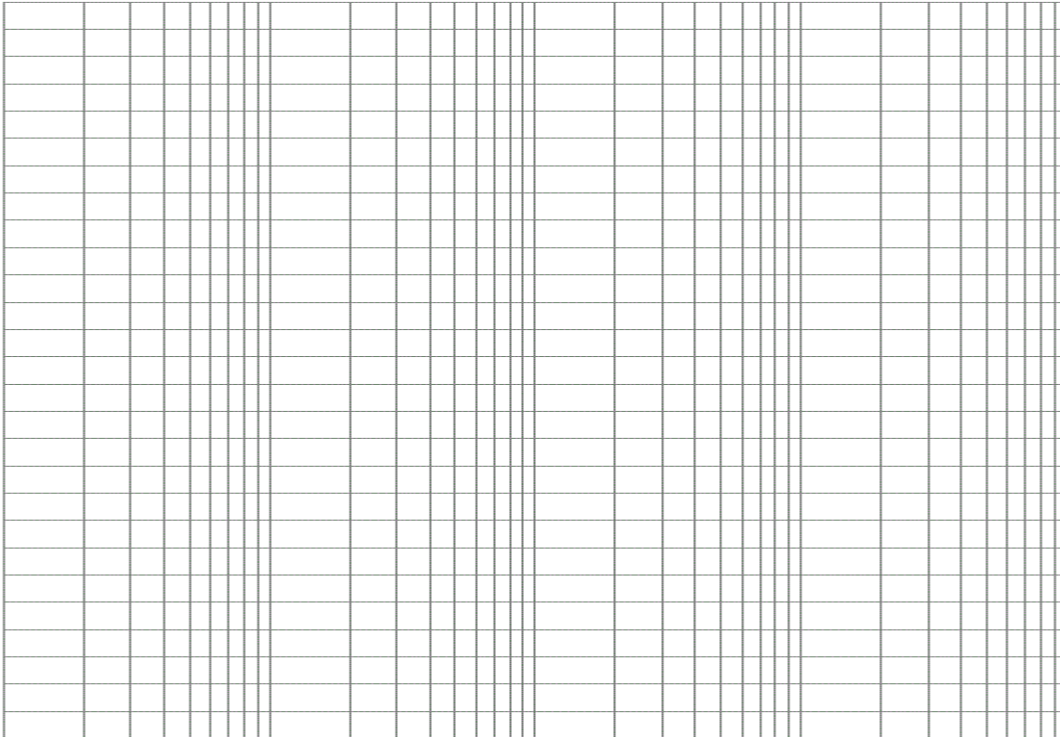


- DR 3 – Question 39



- DR 4 – Questions 60 et 61

Gain



Phase

