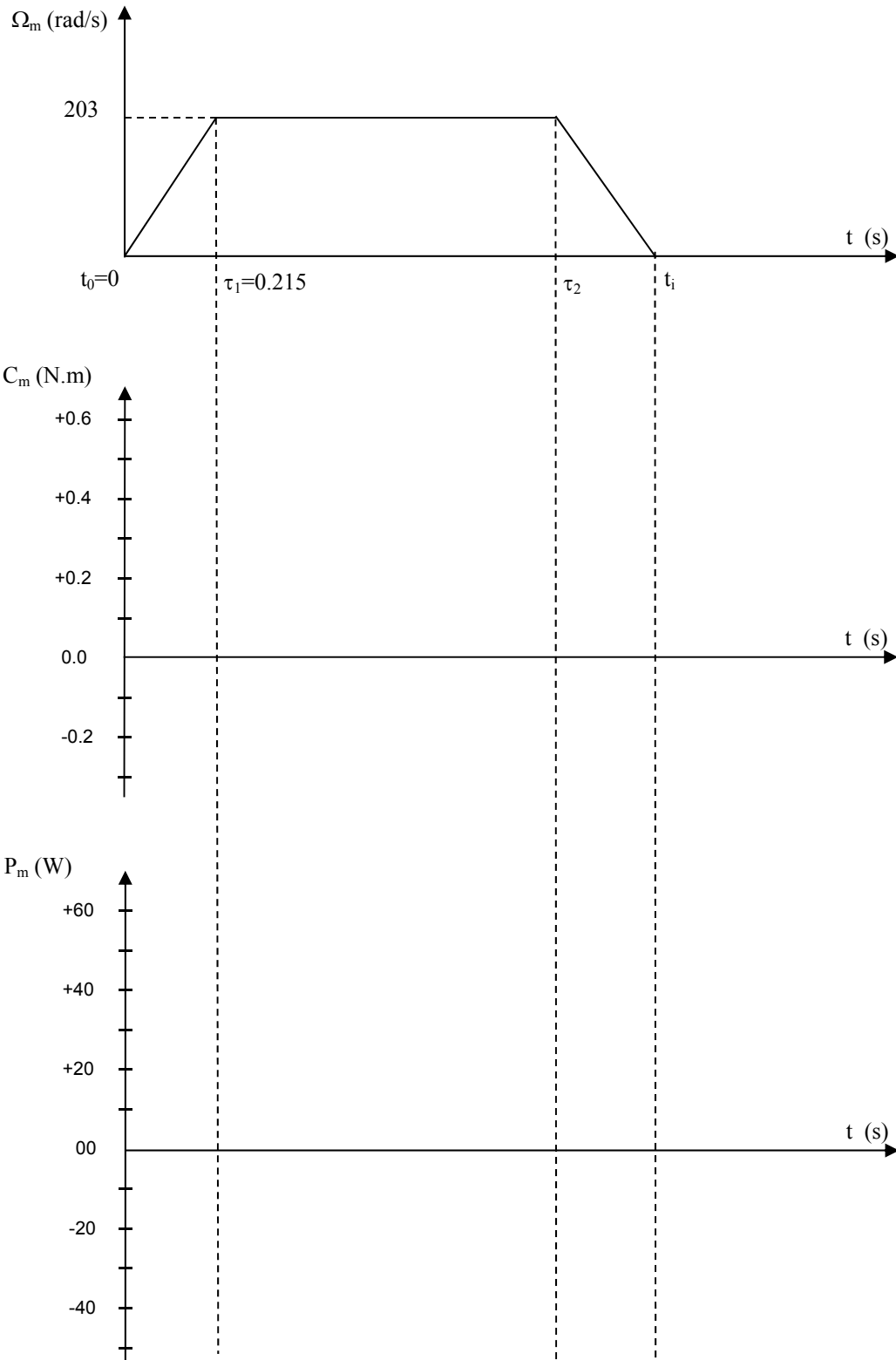
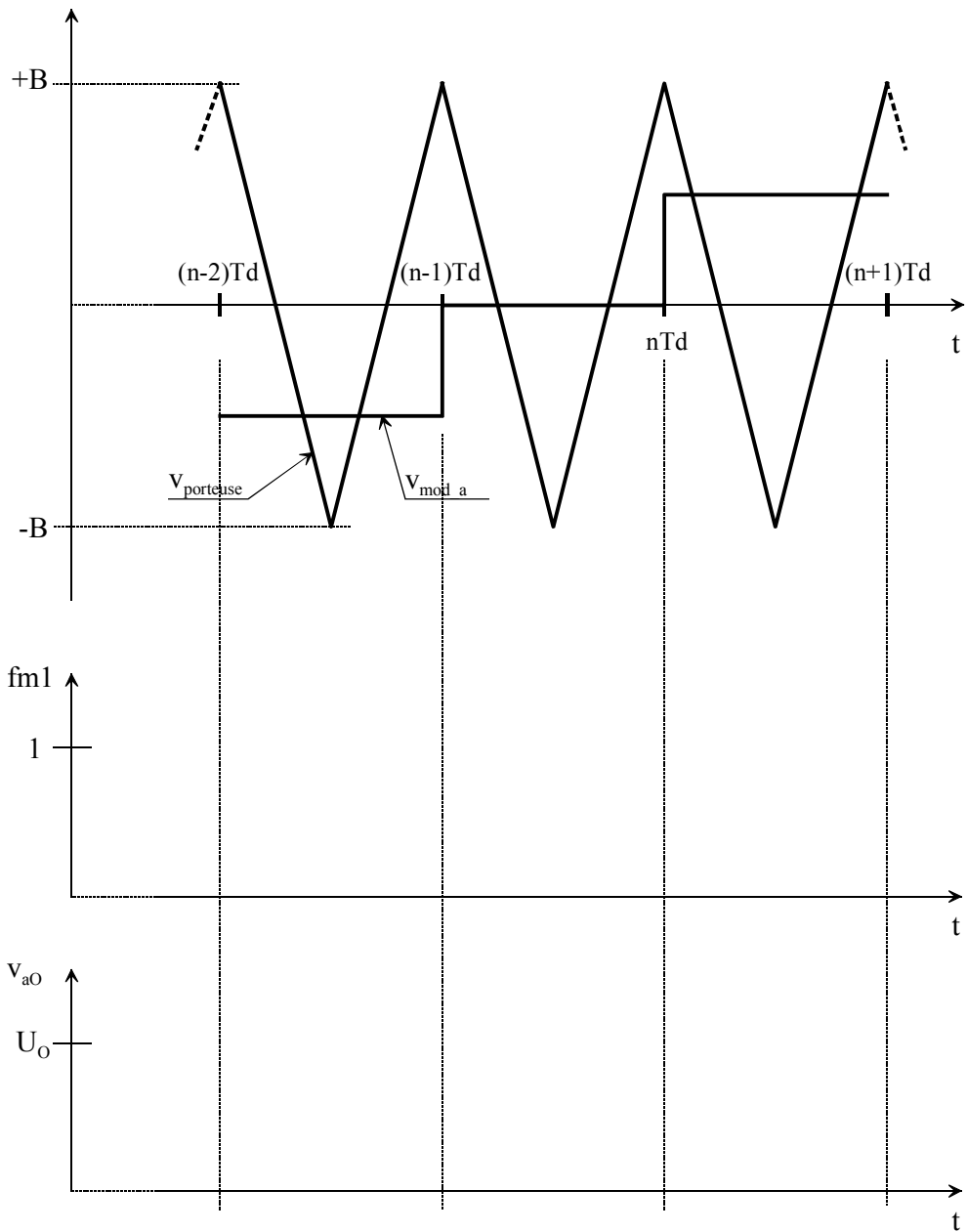
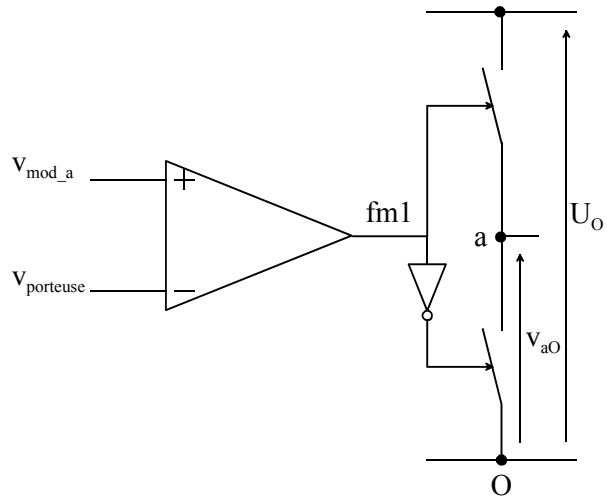


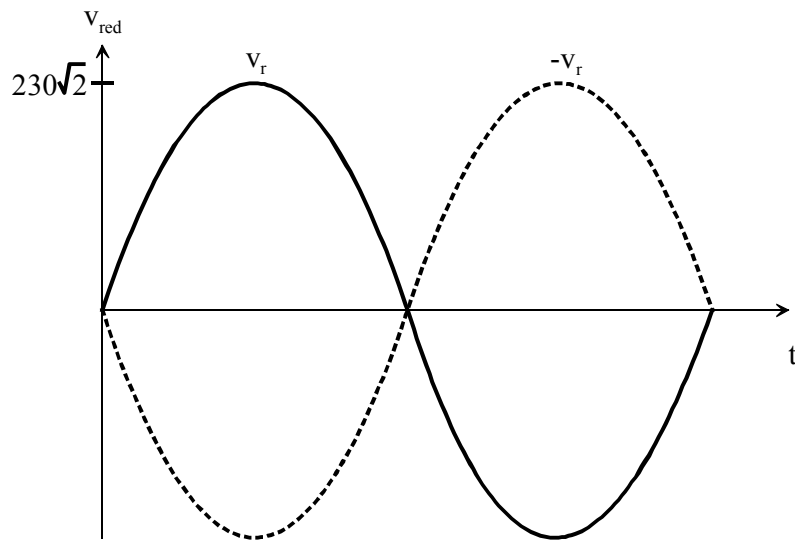
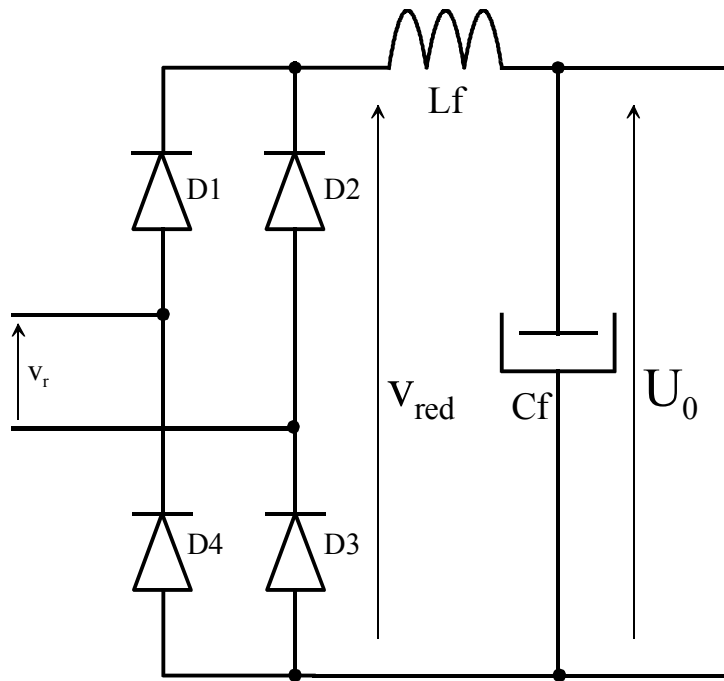
DOCUMENT REPONSE 1



DOCUMENT REPONSE 2



DOCUMENT REPOSE 3



DOCUMENT REPONSE 4

